



Long Road Racing

2668 Peachtree Road ▪ Statesville, NC 28625 ▪ Phone: 980-223-8547

Since 2001

LongRoadRacing.com

Global MX-5 Cup Car Technical Service Bulletin #08-15-2017

Optional*: 2017 Global MX-5 Update: Bumper beam protrusions & foam

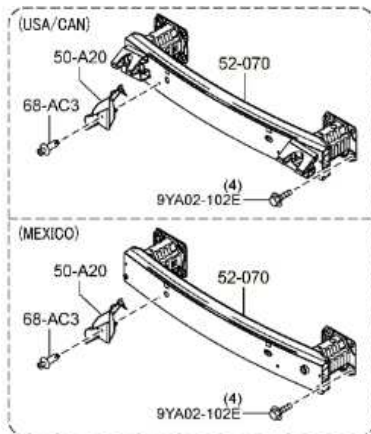
This TSB describes:

1. The front bumper beam (USA/CAN P/N NA1J-50-070D) may be substituted with MEXICO P/N N243-50-070D –OR– modified by removing both large protrusions (see pictures below). Also, you may also add a foam insert to the front of the bumper beam to help makeup that gap between the front fascia and the bumper beam.

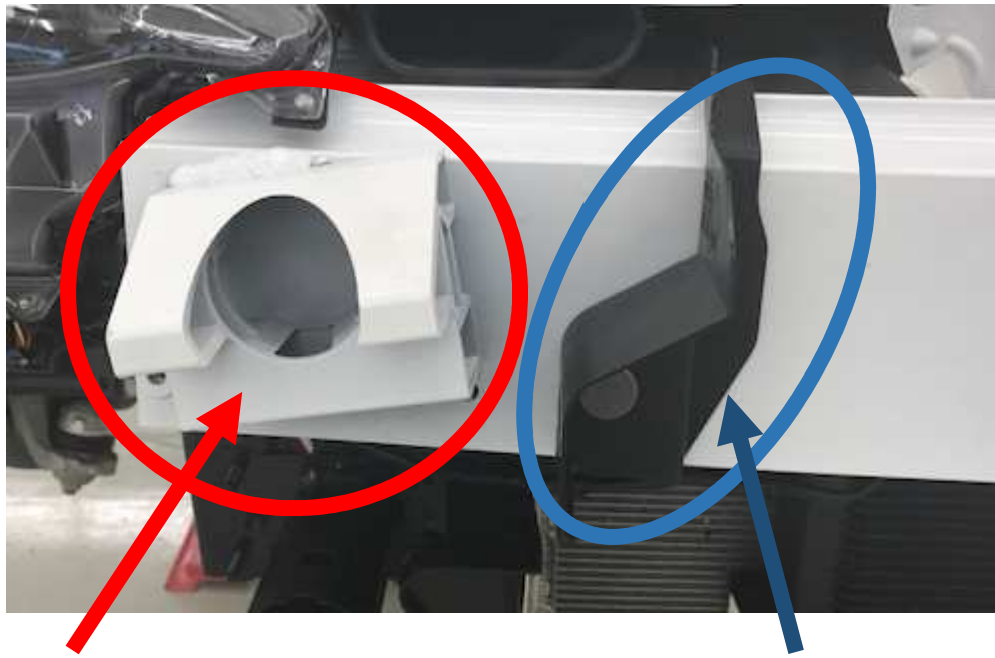
***NOTE:** Battery Tender Global Mazda MX-5 Cup presented by BFGoodrich Tires championship competitors please refer to INDYCAR 2017 Competitor Bulletin 17-21

Installation:

1. Follow all Mazda service manual instructions for safety.
2. BUMPER BEAM
 - a. Remove the front fascia per the service manual instructions
 - i. Option A – Remove the US/CAN spec bumper beam and install the Mexico spec beam and ensure that the black plastic air guide (50-A20) be used on the new bumper beam. The air guide is a required part and **MUST** be in place.



- ii. Option B – Cut off the two protrusions that are ‘proud’ of the bumper beam so that the USA/CAN bumper beam resembles the Mexico bumper beam (see the diagram above). Ensure that the black plastic air guide (50-A20) be used on the modified bumper beam. The air guide is a required part and **MUST** be in place. (See below)

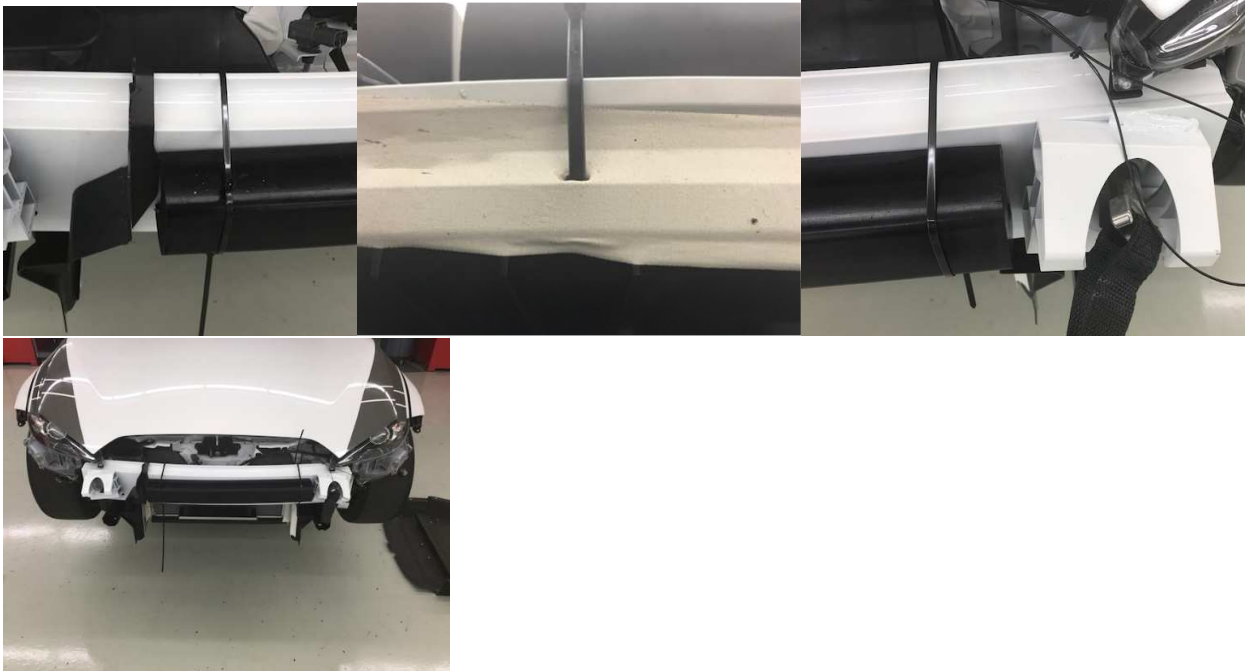


Right & Left protrusions that may be removed

Air Guide that **MUST** be in place

3. FOAM INSERT

- a. You may install a single piece of FIA Type A roll bar padding, 30mm thick to fit 1 3/4" - 2" bar diameter (with trapezoidal profile) between the air guide and the tow hook. Use wire ties around the bumper beam and only cut the minimum size slit to pass the wire tie past the tape which is under the bumper beam. Please note that the picture below still has the protrusion around the tow hook, and once removed the foam may be installed up to the tow hook mounting hole.



If you have any questions about this Technical Bulletin, please contact Glenn Long at:

GLENN@LongRoadRacing.COM or 919-614-4797