



Long Road Racing

2668 Peachtree Road ■ Statesville, NC 28625 ■ Phone: 980-223-8547

Since 2001
LongRoadRacing.com

Global MX-5 Cup Car Technical Service Bulletin #3-22-17A

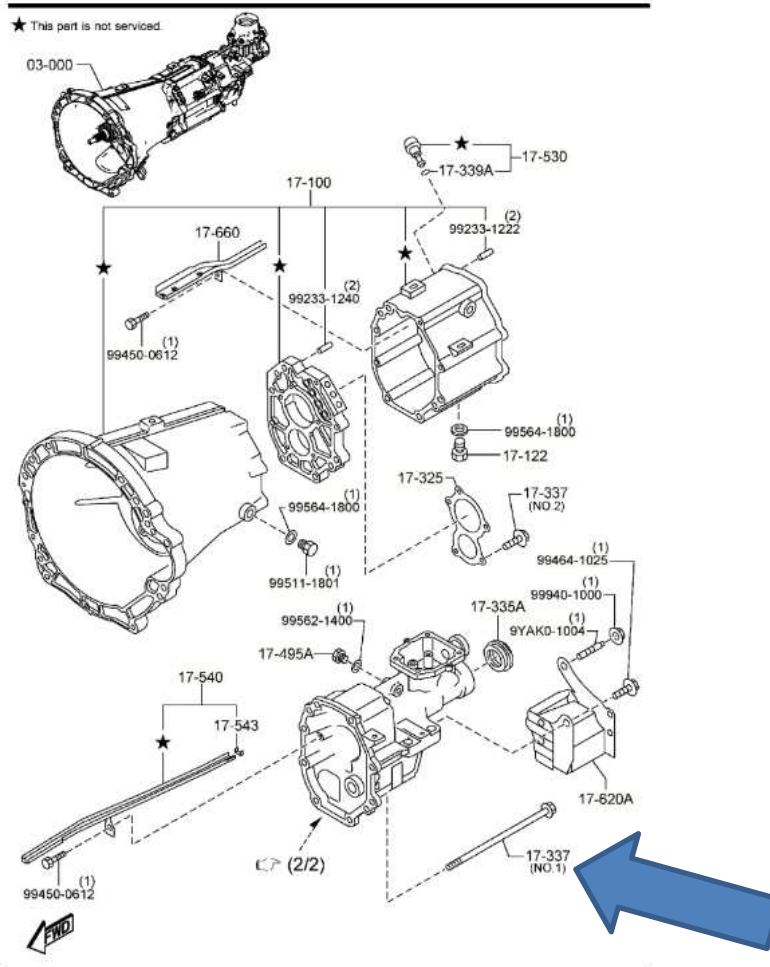
Optional: 2017 Global MX-5 Update: Transmission gear case studs

2017 GMX5

Transmission case studs and nuts kit (7 studs and nuts) – Mazda P/N 0000-02-STUD-GM

We have found in some instances that the transmission case bolts have broken at the threads going into the bell housing case (please see the blue arrow below). Therefore, a hardened stud kit has been developed to replace the factory bolts.

Please note: While the case uses 8 factory bolts, the kit only contains 7. This is due the compliance seal using bolt position number 8 and is not end user replaceable.



a.

(C) 2013 MAZDA Motor Corporation

Installation:

Upon inspection:

- If you do not have any broken transmission case bolts, please follow the installation procedures below to replace all 7 (seven) bolts with studs and nuts.
- If you do have (what will appear as) missing bolts, just replace the remaining original bolts. The 'missing bolts' will have the original threads still in place in the bell housing, and thus, not accept the replacement stud. Any of the missing bolts (broken) can be changed during the next transmission service by either Long Road Racing, or by EMCO.

Installation procedure:

1. Follow all safety standards and wear the appropriate safety gear!
2. Use all of the factory service manual procedure and guidelines.
3. Remove one of the existing bolts. ** Only one at a time **
4. Clean the stud threads of any protective oil coating
5. Apply a small dab of medium strength thread sealer on the rounded end of the stud, and thread the rounded end of the stud it into the case. Using a 5mm socket, torque the stud to 15 ft/lbs.
6. Then apply a small dab of medium strength thread sealant on the exposed threads of the stud, thread on the 12mm nut, and torque the nut to 20 ft/lbs.

If you have any questions about this Technical Bulletin, please contact Glenn Long at:

GLENN@LongRoadRacing.COM or 919-614-4797